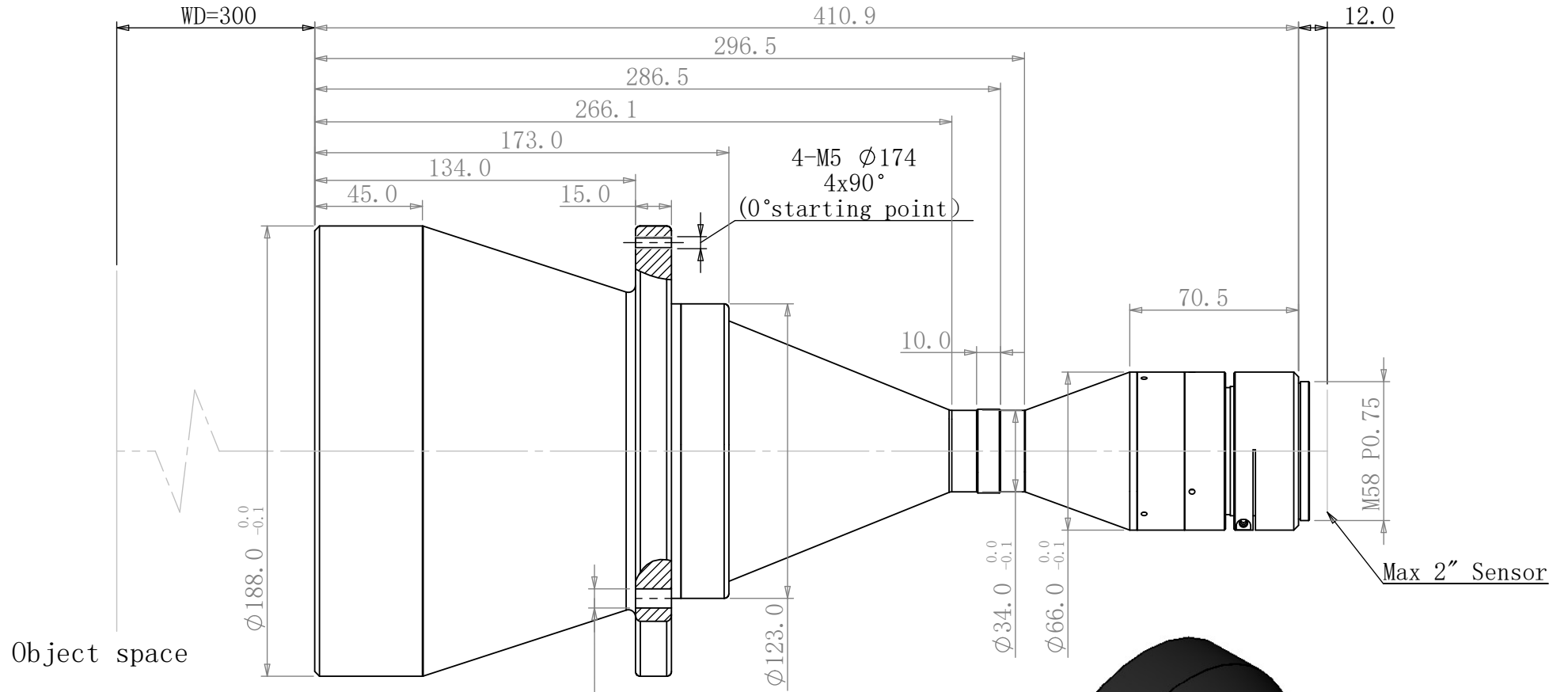


# DTCM210-150H-M58-AL



4- $\phi 8.0$   $\phi 174$   
4x90°  
(45° starting point)

