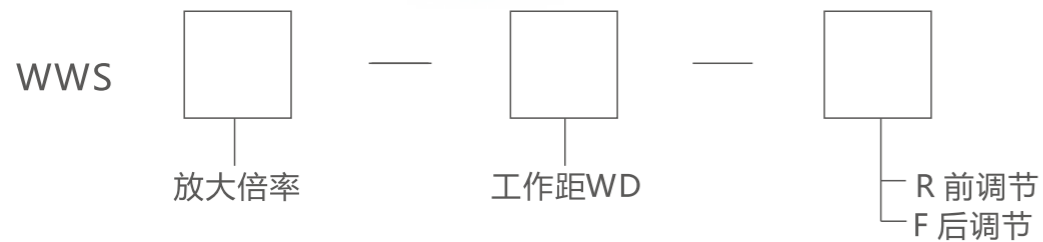


WWS系列 可调焦工业镜头

- 1、与进口CCTV/FV镜头相比，WWS系列镜头性价比更高
- 2、专门针对在工业影像机器视觉中广泛应用的固定集中工业镜头的局限而设
- 3、在工作距与放大倍率不能兼顾时，WWS系列镜头比定焦工业镜头更具灵活性
- 4、可直接替代CCTV镜头配合任何型号的1/2" ,1/3" ,1/4" 工业摄像机及CCD摄像机



WWS系列可调焦工业镜头命名规则

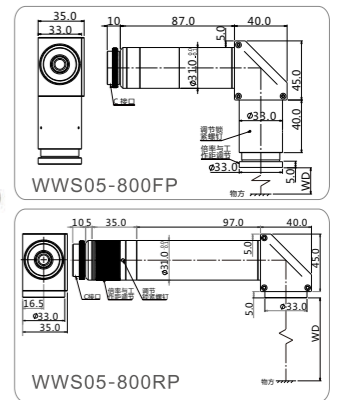


后调节



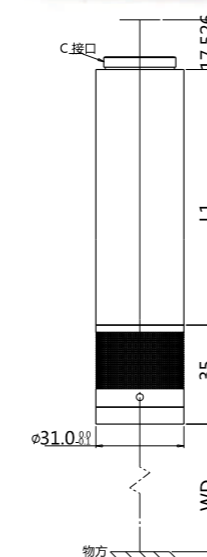
型号	总长	倍率	WD调节范围	可取阶段
WWS028-650R	85mm	0.32-0.21x	505-830mm	$\beta=0.28$ WD=650
WWS03-650R	150mm	0.33-0.31x	620-790mm	$\beta=0.30$ WD=650
WWS035-150R	70mm	0.58-0.32x	97-220mm	$\beta=0.35$ WD=150
WWS05-110R	70mm	0.58-0.32x	97-220mm	$\beta=0.50$ WD=110
WWS05-130R	70mm	0.56-0.46x	110-144mm	$\beta=0.50$ WD=130
WWS05-400R	95mm	0.55-0.35x	322-610mm	$\beta=0.50$ WD=400
WWS05-600R	105mm	0.73-0.40x	430-850mm	$\beta=0.50$ WD=600
WWS05-650R	100mm	0.75-0.45x	430-850mm	$\beta=0.50$ WD=650
WWS05-800R	115mm	0.40-0.73x	900-525mm	$\beta=0.50$ WD=800
WWS065-90R	80mm	0.80-0.46x	75-115mm	$\beta=0.65$ WD=90
WWS065-800R	80mm	0.65x	800mm	$\beta=0.65$ WD=800
WWS10-50R	85mm	1.19-0.84x	45-61mm	$\beta=1.00$ WD=50
WWS10-120R	80mm	1.01-1.20x	121-104mm	$\beta=1.00$ WD=120
WWS10-150R	75mm	1.07-0.83x	133-195mm	$\beta=1.00$ WD=150
WWS10-600R	140mm	1.60-0.71x	380-840mm	$\beta=1.00$ WD=600
WWS12-170R	80mm	1.22-0.93x	153-235mm	$\beta=1.20$ WD=170
WWS20-150R	100mm	2.30-1.33x	134-242mm	$\beta=2.00$ WD=150
WWS35-100R	125mm	3.70-3.20x	105-95mm	$\beta=3.50$ WD=100
WWS40-170R	170mm	3.76-4.1x	189-160mm	$\beta=4.00$ WD=170

加转接棱镜



型号	总长	倍率	WD调节范围	可取阶段
WWS012-780RP	175mm	2.3-1.83x	148-156mm	$\beta=2.00$ WD=150
WWS05-800FP	140mm	2.13-1.35x	198-258mm	$\beta=2.00$ WD=200
WWS05-800RP	150mm	2.29-1.23x	233-358mm	$\beta=2.00$ WD=250
WWS05-700FP	180mm	2.78-1.50x	245-400mm	$\beta=2.00$ WD=350
WWS05-700RP	110mm	2.90-1.89x	105-133mm	$\beta=2.50$ WD=110
WWS05-650FP	135mm	3.65-2.28x	119-151mm	$\beta=3.00$ WD=130
WWS05-650RP	110mm	2.90-1.89x	105-133mm	$\beta=2.50$ WD=110

前调节



型号	总长	倍率	WD调节范围	可取阶段
WWS01-410F	45mm	0.40-0.05x	130-720mm	$\beta=0.10$ WD=410
WWS015-200F	35mm	0.45-0.055x	88-550mm	$\beta=0.15$ WD=200
WWS02-200F	45mm	0.40-0.05x	130-720mm	$\beta=0.20$ WD=200
WWS02-350F	60mm	0.25-0.07x	272-800mm	$\beta=0.20$ WD=350
WWS02-650F	75mm	0.51-0.15x	282-800mm	$\beta=0.20$ WD=650
WWS028-400F	65mm	0.48-0.13x	248-812mm	$\beta=0.28$ WD=400
WWS03-110F	40mm	0.61-0.07x	71-430mm	$\beta=0.30$ WD=110
WWS04-220F	90mm	0.64-0.38x	155-350mm	$\beta=0.40$ WD=220
WWS045-300F	80mm	0.45x	300mm	$\beta=0.45$ WD=300
WWS05-115F	85mm	0.58-0.37x	115-139mm	$\beta=0.50$ WD=115
WWS05-150F	75mm	0.53-0.24x	152-265mm	$\beta=0.50$ WD=150
WWS05-200F	80mm	0.71-0.30x	157-292mm	$\beta=0.50$ WD=200
WWS05-220F	100mm	0.82-0.28x	160-384mm	$\beta=0.50$ WD=220
WWS05-250F	75mm	0.76-0.142x	186-795mm	$\beta=0.50$ WD=250
WWS05-300F	85mm	0.5x	300mm	$\beta=0.50$ WD=300
WWS05-350F	90mm	0.81-0.20x	238-810mm	$\beta=0.50$ WD=350
WWS05-420F	100mm	0.76-0.25x	295-810mm	$\beta=0.50$ WD=420
WWS05-800F	130mm	0.91-0.40x	486-950mm	$\beta=0.50$ WD=800
WWS07-420F	105mm	1.15-0.36x	293-790mm	$\beta=0.70$ WD=420
WWS08-55F	80mm	0.81-0.74x	49-65mm	$\beta=0.80$ WD=55
WWS08-180F	90mm	1.39-0.63x	125-213mm	$\beta=0.80$ WD=180
WWS08-200F	85mm	1.02-0.19x	164-703mm	$\beta=0.80$ WD=200
WWS10-100F	105mm	1.14-0.81x	97-100mm	$\beta=1.00$ WD=100
WWS10-110F	95mm	1.39-0.88x	100-118mm	$\beta=1.00$ WD=110
WWS10-150F	90mm	1.39-0.63x	125-213mm	$\beta=1.00$ WD=150
WWS10-165F	85mm	1.0x	165mm	$\beta=1.00$ WD=165
WWS10-200F	130mm	1.1-0.72x	190-242mm	$\beta=1.00$ WD=200
WWS10-300F	115mm	1.08-0.46x	275-548mm	$\beta=1.00$ WD=300
WWS10-400F	155mm	1.0x	400mm	$\beta=1.00$ WD=400
WWS10-700F	180mm	1.0x	700mm	$\beta=1.00$ WD=700
WWS20-55F	70mm	2.0-1.37x	54-61mm	$\beta=2.00$ WD=55
WWS20-110F	100mm	2.1-1.33x	106-138mm	$\beta=2.00$ WD=110
WWS20-150F	175mm	2.3-1.83x	148-156mm	$\beta=2.00$ WD=150
WWS20-200F	140mm	2.13-1.35x	198-258mm	$\beta=2.00$ WD=200
WWS20-250F	150mm	2.29-1.23x	233-358mm	$\beta=2.00$ WD=250
WWS20-350F	180mm	2.78-1.50x	245-400mm	$\beta=2.00$ WD=350
WWS25-110F	110mm	2.90-1.89x	105-133mm	$\beta=2.50$ WD=110
WWS30-130F	135mm	3.65-2.28x	119-151mm	$\beta=3.00$ WD=130
WWS30-170F	165mm	3.36-2.48x	164-184mm	$\beta=3.00$ WD=170